



MILTECH™ 304

Compact, Portable Military Fast Ethernet Switch

Driven by rapid advancement and lower costs, Ethernet is becoming the standard for IP-based components in a wide range of military and commercial land, sea, and air applications.

The MILTECH 304's ultra-compact, IP68 rugged construction, and Fast Ethernet make it the ideal switching solution for command post, man packable and UAV systems. Its four 10/100Mbps ports are plug-n-play with all Ethernet equipment and provide network connectivity for most portable Ethernet devices, including:

- Voice and video communication systems
- IP-based sensors
- Battlefield communication C4ISR
- Combat vehicles, avionics, shipboard systems
- Rugged computers
- Navigation devices
- Helmet-mounted heads-up displays

With the best combination of size, weight, power, and cost (SWaP-C) in the industry, the MILTECH 304 reduces load on the soldier, providing more space for equipment that increases effectiveness and survivability. The MILTECH 304 is optimized for low-power operation and can be powered from common system power sources, including USB.

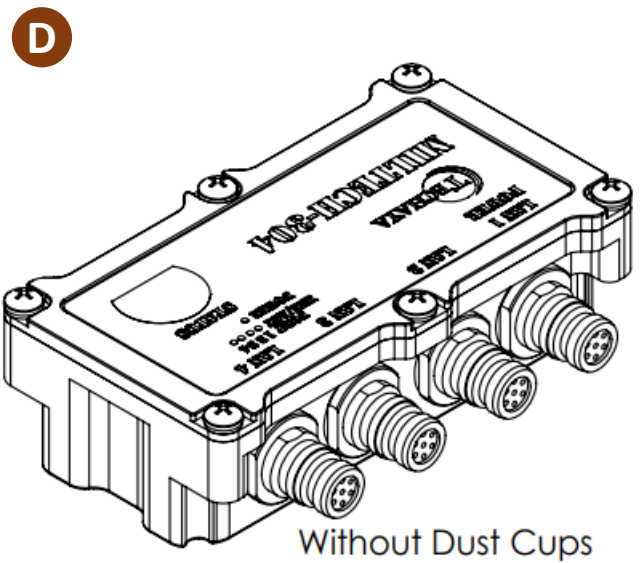
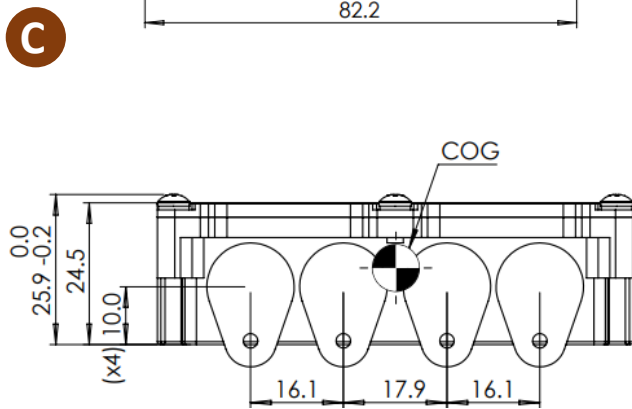
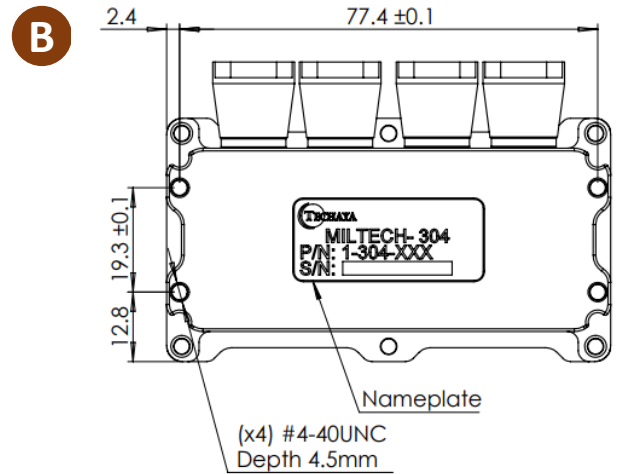
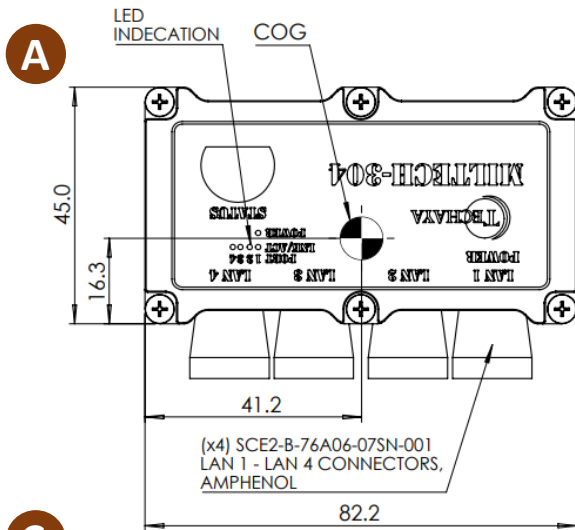
The MILTECH's mechanical packaging enhancements, including ruggedized SCE2 circular connectors, is designed for MIL-STD-810F airborne and ground environmental compliance and high reliability. Leveraging best-in-class switching technology from Techaya, the MILTECH 304 serves as a robust commercial off-the-shelf (COTS) solution for rugged LAN connectivity.





SPECIFICATIONS

ETHERNET PORTS:	<ul style="list-style-type: none"> • 4 x 10/100BaseT ports
NETWORKING:	<ul style="list-style-type: none"> • Full wire-speed forwarding rate • Store-and-forward mechanism • Auto MDI-II, MDI-X • Auto-Negotiation Protocol • Address Look-Up
POWER:	<ul style="list-style-type: none"> • Voltage Input*: <ul style="list-style-type: none"> • 2023 modification and later: 5VDC to 28VDC • Pre-2023 units: 5VDC±5% • Supports USB sourcing • Power Consumption: 2W Typical • Chassis grounding <p>* Note: In case the unit's status is unknown, it is recommended to use 5VDC. For confirmation, please contact customer service.</p>
CONNECTORS:	<ul style="list-style-type: none"> • Power Connector: SCE2-B-76A06-07SN-001 • LAN Connector: SCE2-B-76A06-07SN-001 • LED Indication Per Port (Link/Activity)
CHASSIS:	<ul style="list-style-type: none"> • Low profile rugged aluminum extrusion • Conductively cooled w/custom internal heat-sinks • Ingress protection against sand, dust and moisture
PERFORMANCE:	<ul style="list-style-type: none"> • 128K Byte of SRAM for Frame Buffering • 2.0Gbps High-Performance Memory Bandwidth • Wire-Speed Reception and Transmission • Integrated Address Look-Up Engine • Automatic Address Learning
STANDARDS COMPLIANCE:	<ul style="list-style-type: none"> • IEEE 802.3 10 Mbps 10BASE-T (Ethernet) • IEEE 802.3u 100BASE-TX 100 Mbps (Fast Ethernet) • IEEE 802.3x Flow Control
STANDARDS:	<ul style="list-style-type: none"> • Designed to meet MIL-STD-461, MIL-STD-810, IP68
PHYSICAL:	<ul style="list-style-type: none"> • Dimensions: 82.2mm (L) x 64.1mm (W) x 26mm (H), not including connector Dust Caps • Dimensions: 3.2"(L) x 2.5"(W) x 1.0(H), Not including connector Dust Caps • Weight: 140g, not including dust caps
INSTALLATION:	<ul style="list-style-type: none"> • Portable, 4 screws for mounting to any flat surface • 4 x 4-40 UNC screws with locking helicoils
COOLING:	<ul style="list-style-type: none"> • No Moving Parts. Passive Cooling
OPERATING TEMP:	<ul style="list-style-type: none"> • -40°C to +85°C (-40°F to +185°F) - Cold Start-Up
STORAGE TEMP:	<ul style="list-style-type: none"> • -40°C to +85°C (-40°F to +185°F)



ORDERING INFORMATION

PART NUMBER	DESCRIPTION
1-304-000	MILTECH 304, 4 x 10/100BaseT MIL-STD rugged switch
2-CBL308LN3M	LAN Harness for MILTECH308/304 MIL-SCE circular connector to RJ45, 3-meter length
2-CBL918TSNLAN	Power + LAN Harness for MILTECH308/304 MIL-SCE circular connector to RJ45 and 2 wire, 3-meter length