



MILTECH™ 8P2

Advanced Rugged Tactical 8-Port USB Type-C Ultra Fast Charger

Enercon's MILTECH™ 8P2 is a Rugged Managed Tactical 8-Port USB Type-C Ultra Fast Charger, supporting the latest advanced charge standards such as Power Delivery 3.0, Quick Charge 3.0, PPS as well as legacy charging standards.

The rising deployment of USB-based electronic devices, including smartphones, tablets, and PDAs, across military applications has created a growing demand for effective charging solutions. As a result, providing charging capability for these devices in battlefield conditions has become a basic requirement.

When deployed in ground combat vehicles or field operations, the MILTECH™ 8P2 charger provides multiple advanced charging ports, ensuring reliable support for the latest ultra-fast charging requirements of mission-critical devices..

The rugged MILTECH™ 8P2 mounted inside ground combat vehicles, can charge up to 8 advanced USB based electronic devices simultaneously while providing up to 20V/5A per port with external host configuration options.

The MILTECH™ 8P2 was designed for harsh environments, supporting MIL-STD 1275 and IP67 protection.

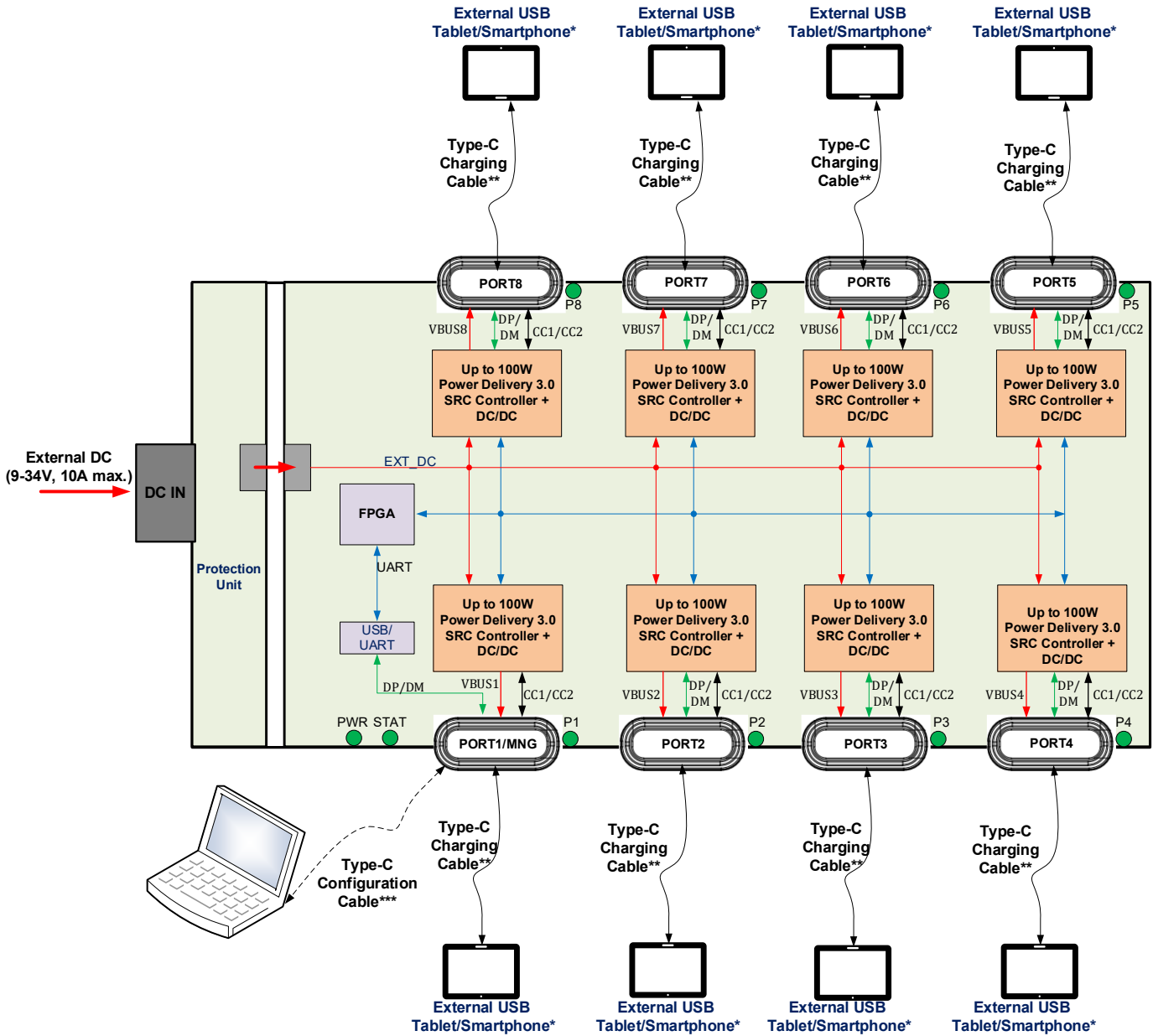
Specifications

CONNECTORS:	<ul style="list-style-type: none"> Power – D38999/24ZC4PN (Mating D38999/26ZC4SN) USB ports (x8) – waterproof standard USB Type-C inlets, with optional single screw lock (with relevant USB cables)
CHASSIS:	<ul style="list-style-type: none"> Low profile rugged machined aluminum Conductively cooled Ingress protection against sand, dust, water Chassis grounding
POWER IN:	<ul style="list-style-type: none"> Input DC range: 9-34 VDC, 10A Max. Protections: Over/Under Voltage, Reverse Polarity
PERFORMANCE:	<ul style="list-style-type: none"> Charging Capabilities: USB PD/QC 3.0/PPS PDOs, up to 100W (20V/5A) per port Supported PDOs per port*: 5V/2A, 5V/3A, 9V/3A, 15V/3A, 20V/3A, 3.3V-16V/5A (PPS), 20V/5A Legacy charging modes supported <p>*Note: with total unit input current limit of 10A (unit will manage loads actual charge profiles vs max unit input current). The unit firmware max output power is configurable via CLI</p>
MANAGEMENT:	<ul style="list-style-type: none"> CLI management port (in port #1) Optional unit configurations: per port charge profiles, overall output power limit Built in self test (BIT/CBIT/IBIT) Power, Status (BIT) and per Port Status LEDs
PHYSICAL:	<ul style="list-style-type: none"> Dimensions: 183mm (L) x 102mm (W) x 46mm (H) Weight: 540g
STANDARDS:	<ul style="list-style-type: none"> Design to meet: MIL-STD-810, MIL-STD-461, MIL-STD-1275, IP67 Charging: USB PD 3.0, QC 3.0, PPS REACH/ROHS
INSTALLATION:	<ul style="list-style-type: none"> 4 x Mounting hole for Screw # 8/32 UNC
COOLING:	<ul style="list-style-type: none"> No moving parts. Passive cooling
OPERATING/STORAGE TEMP:	<ul style="list-style-type: none"> -40°C to +85°C (-40°F to +185°F), Cold Start-Up





Application Diagram

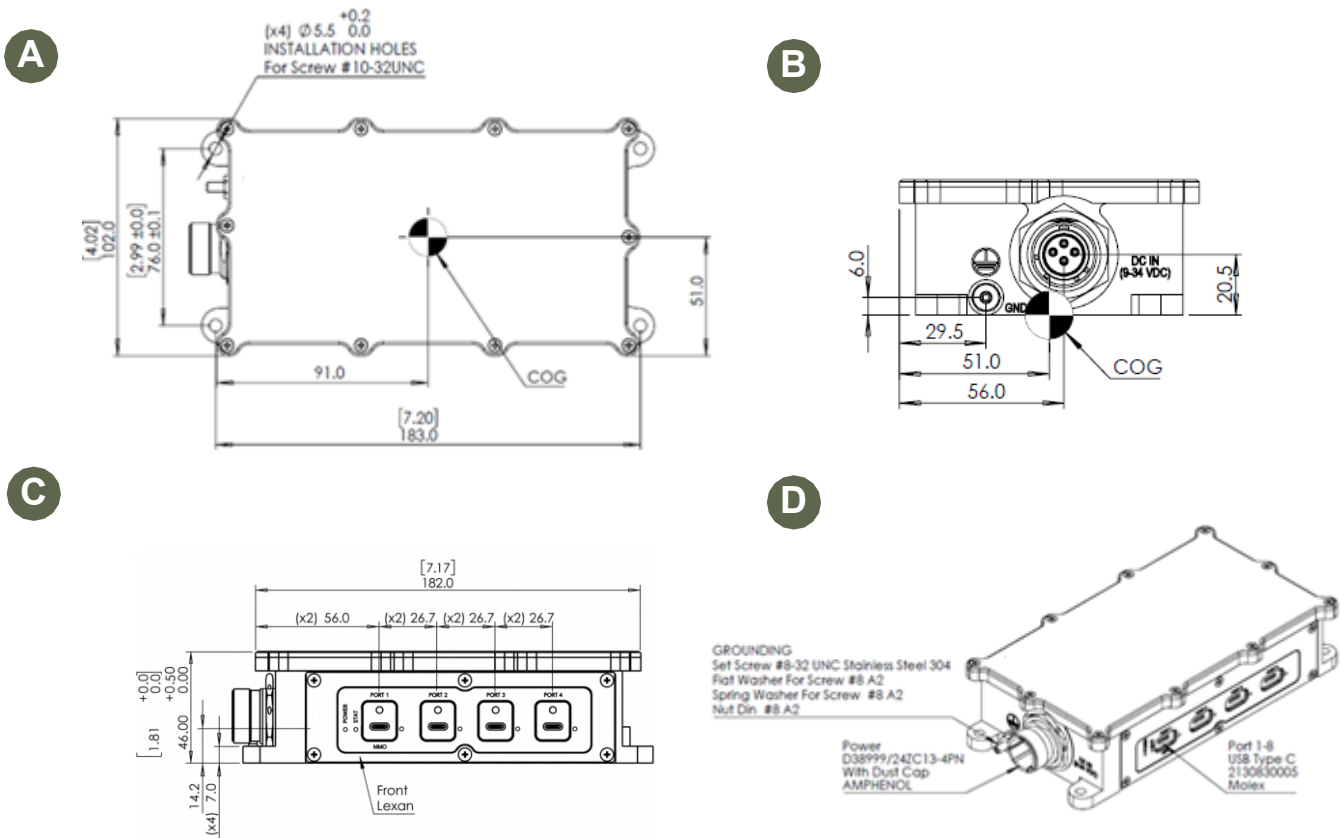


- * Or any other USB device supporting Power Delivery 3.0/Quick Charge 3.0 or Legacy Charging
- ** USB Type-C charging cable with 5A rating for Maximal PD/QC 100W charging
- *** Optional CLI management port for customer configuration (per port PDO, max output power) and unit monitoring





Mechanical Drawing



Ordering Information

PART NUMBER	DESCRIPTION
M018	Tactical 8 ports USB Type-C ultra fast charger
29-040600-00	MILTECH 8P2 cable kit: power input cable (3m) and 8 x USB Type-C to USB Type-C with locking screw (1.8m)
29-040234-00	MILTECH 8P2 power input cable (3m)