



# GROUND DATA TERMINAL (GDT) GATEWAY

Enabling enhanced power and multi-protocol connectivity

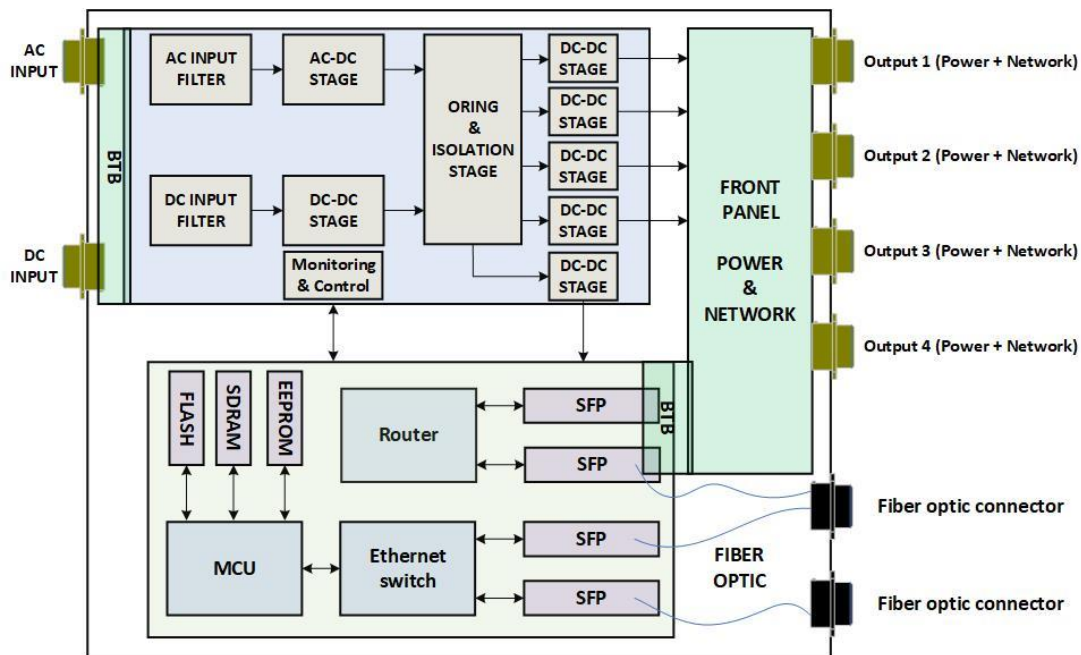
The MPS-GDT series is a versatile power supply integrated with a comprehensive network system. It combines a managed Ethernet switch with 8 x 10/100/1000 ports, a Cisco ESR6300 router, MCU, and various serial interfaces (RS232, RS422/485). With multiple protocols and interfaces consolidated into a single connector per End User Device (EUD), this innovative product streamlines system solutions, minimizing volume, weight, and costs. Designed for use in airborne, ground, and navy applications, the MPS-GDT series offers a unified solution that meets diverse operational requirements.

By combining power and communication interfaces into a single device, it optimizes volume and cost efficiency. With features such as fiber optic interfaces through tactical Expanded beam connectors, wide temperature range, flexible mechanical configurations, and cooling methods, it ensures reliable performance in challenging environments. Experience control and monitoring capabilities through the dedicated service interface, while meeting stringent military standards.





SPECIFICATIONS	
Power Input	<ul style="list-style-type: none"> <li>- Universal AC input (50-400Hz) and wide range DC input (EMI filter include) with automatic change over mechanism</li> <li>- High power factor &amp; Inrush current limit</li> </ul>
Power Output	<ul style="list-style-type: none"> <li>- Remote inhibit, Over Voltage &amp; current protection (overload, short) and current, voltage sensing</li> <li>- Well regulated, Low ripple and noise</li> </ul>
Networking	<ul style="list-style-type: none"> <li>- Integrated Cisco ESR6300 Router with 2 x 1G fiber interfaces via tactical expanded beam connector</li> <li>- 8 x 10/100/1000 Base-Tx Managed Ethernet switch</li> <li>- Internal MCU to enable BIT/CBIT/ IBIT, power output sensing (Current and Voltage) with enable/disable capabilities for each output</li> </ul>



Part Number	Description
MPS-GDT	GDT Gateway is a 4 isolated outputs power supply combined with network system Military Grade Gigabit Ethernet Switch, 8 x 10/100/1000BT ports, Cisco ESR6300 router, MCU, and Serial interfaces (RS232, RS422/485)