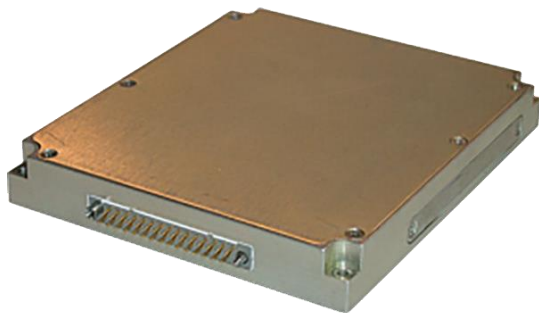


M8667 SERIES

DC/DC POWER SUPPLY



PRODUCT HIGHLIGHTS

- **MINIATURE**
- **HIGH DENSITY**
- **SIX OUTPUTS**
- **DC/DC CONVERTER**
- **UP TO 125W**

APPLICATIONS

Military, Ruggedized, Telecom, Industrial

SPECIAL FEATURES

- Miniature size
- High efficiency
- Wide input range
- Input Output isolation
- Fixed switching frequency (250 kHz)
- External Synchronization capability
- TTL logic enable
- EMI/RFI filters included
- Indefinite short circuit protection with auto-recovery
- Over-voltage shutdown with auto-recovery
- Over-temperature shutdown with auto-recovery

ENVIRONMENTAL

Meets or exceeds MIL-STD-810D

Temperature:

Operating -55°C to +85°C (baseplate)

Storage -55°C to +125°C

RELIABILITY

150,000 hours, calculated per MIL-STD-217F at +85°C baseplate, ground fixed.

ELECTRICAL SPECIFICATIONS

DC INPUT

DC input range: 18 to 70 VDC

Input transient protection:

All models meet or exceed (no damage) MIL-STD-1275A (100V for 50mSec) and MIL-STD-704A, MIL-STD-704D (80V for 0.1Sec)

Efficiency: up to 80%

EMI/RFI:

Designed to meet MIL-STD-461F*
CE101, CE102, CS101, CS114, CS115, CS116,
RE101, RE102, RS101, RS103

Isolation:

200V between Output and Input

100V between Output and case

DC OUTPUT (floating)

Line/load regulation:

Less than 1% (no load to full load, -55°C to +85°C) Ripple and Noise: 50mVp-p, typical (max. 1%)

Current limiting (Hiccup):

Continuous protection for unlimited time.

Over voltage protection:

Passive transorb on outputs.

Over temperature protection:

Shutdown at baseplate temperature of +105°C (±5°C) Automatic recovery at baseplate temperature lower than +95°C (±5°C).

Isolation:

200V between Output and Input

100V between Output and case

* Compliance achieved with 5μH LISN, shielded harness and static resistive load.

M8667 SERIES DC/DC POWER SUPPLY

PIN ASSIGNMENT (SD – Side Connector)

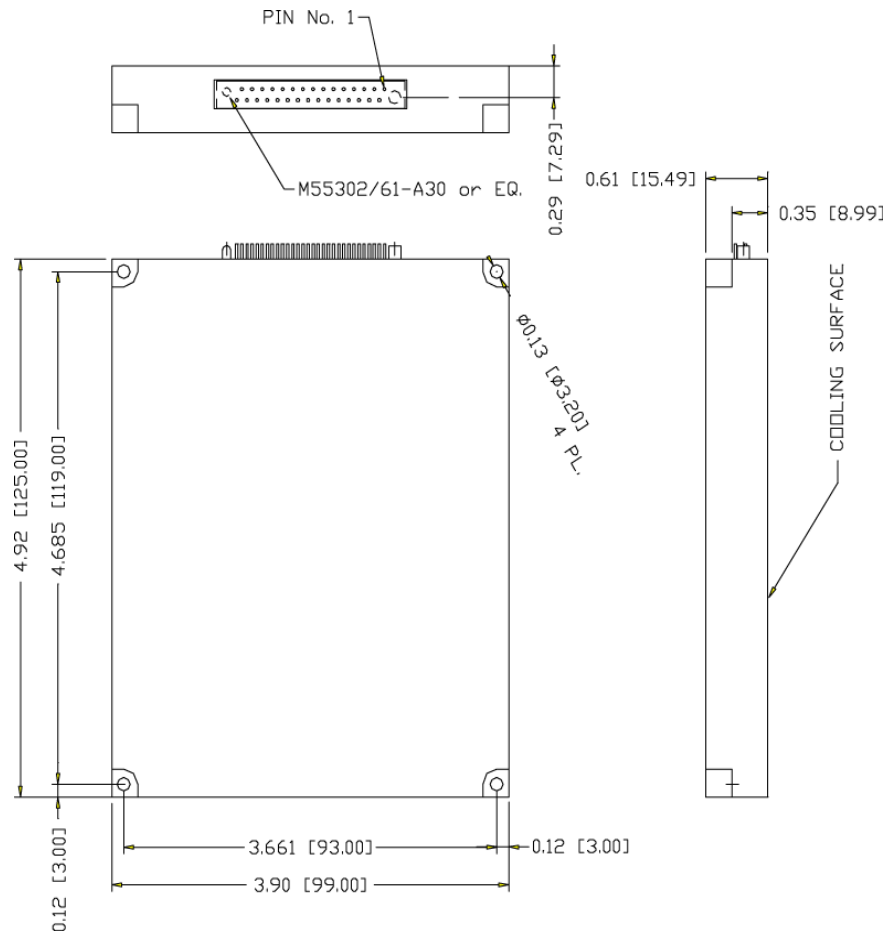
Pin No.	Pin Function
1	+OUT 1
2	- OUT 1
3	+OUT 5
4	+OUT 6
5	- OUT 4
6	+OUT 2
7	- OUT 2
8	+OUT 3
9	- OUT 3
10	N.C.

Pin No.	Pin Function
11	SYN
12	- VIN
13	- VIN
14	+VIN
15	+VIN
16	+OUT 1
17	- OUT 1
18	-OUT 5
19	- OUT 6
20	+OUT 4

Pin No.	Pin Function
21	+OUT 2
22	- OUT 2
23	+OUT 3
24	+OUT 3
25	INHIBIT
26	SIGNAL RTN*
27	- VIN
28	- VIN
29	+VIN
30	+VIN

* Signal RTN for the INHIBIT and the SYN signals.

OUTLINE DRAWING (SD – Side Connector)



Notes

1. Dimensions are in Inches [mm]
2. Tolerance is:
.XX ± 0.02 IN
.XXX ± 0.01 IN
3. Weight: 14 oz (404g)
4. Add suffix SD to specify Side connector.

*Specifications are subject to change without prior notice by the manufacturer

M8667 SERIES DC/DC POWER SUPPLY

PIN ASSIGNMENT (Upper Panel Connector)

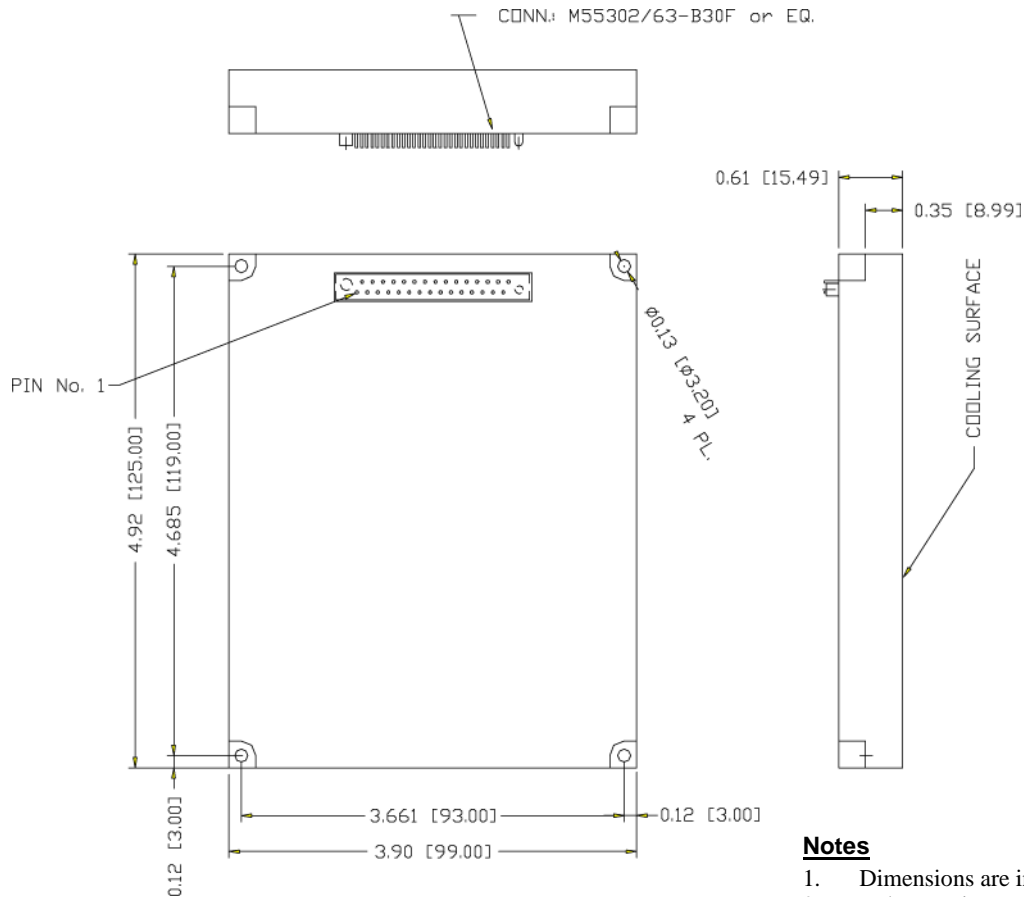
Pin No.	Pin Function
1	+VIN
2	+VIN
3	- VIN
4	- VIN
5	SIGNAL RTN*
6	INHIBIT
7	- OUT 3
8	+OUT 3
9	- OUT 2
10	+OUT 2

Pin No.	Pin Function
11	- OUT 4
12	- OUT 6
13	- OUT 5
14	- OUT 1
15	+OUT 1
16	+VIN
17	+VIN
18	- VIN
19	- VIN
20	SYN

Pin No.	Pin Function
21	- OUT 3
22	+OUT 3
23	- OUT 2
24	+OUT 2
25	N.C.
26	+OUT 4
27	+OUT 6
28	+OUT 5
29	- OUT 1
30	+OUT 1

* Signal RTN for the INHIBIT and the SYN signals.

OUTLINE DRAWING (Upper Panel Connector)



Notes

1. Dimensions are in Inches [mm]
2. Tolerance is:
.XX ± 0.02 IN
.XXX ± 0.01 IN
3. Weight: 14 oz (404g)
4. Add suffix SD to specify Side connector.

*Specifications are subject to change without prior notice by the manufacturer